

# WEGA Mini

## Regulators - Pressure Reducing

DCATLABO12109XEN2

### Specifications

*For other materials or modifications, please consult TESCOM.*

#### FLUID MEDIA

For high purity gases and calibration gases without corrosive components except NO, NH<sub>3</sub>, SO<sub>2</sub> (ppm range).

#### OPERATING PARAMETERS

*Pressure rating per criteria of ANSI/ASME B31.3*

**Maximum Inlet Pressure**

2900 psig / 200 bar

**Outlet Pressure Ranges**

Maximum 60 psig / 4.1 bar or 145 psig / 10.0 bar

**Leak Rate**

10<sup>-8</sup> mbar l/sec He for each connection

**Nominal Flow Rate**

**Outlet Pressure 145 psig / 10.0 bar:** Maximum 20 SLPM

**Outlet Pressure 60 psig / 4.1 bar:** Maximum 10 SLPM

**Flow Capacity**

C<sub>v</sub> = 0.02

#### MEDIA CONTACT MATERIALS

**Body**

Nickel-plated Brass or Stainless Steel

**Diaphragm**

316L Stainless Steel

**Seat**

NBR

#### OTHERS

**Inlet Connection**

DIN 477-1 or other national standards

**Outlet Connection**

**Regulator:** 1/4" NPTF internal

**Fittings:** Compression fitting 6 mm with additional hose connector 6 mm

**Weight**

1.9 lbs / 0.85 kg



TESCOM WEGA Mini is a cylinder pressure reducer for gas purities up to 6.0 (99.9999 Vol %) used for lecture bottle and mobile applications. Lightweight and compact design due to the relief valve integrated into the body.

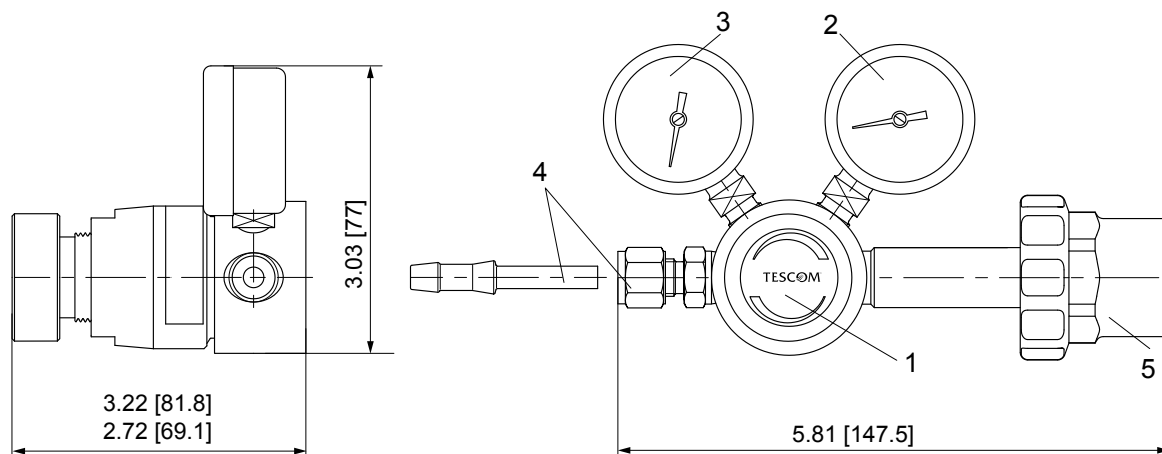
### Applications

- Lecture bottles
- Mobile applications

### Features and Benefits

- Lecture bottle regulator with metal diaphragm
- Based on the field proven TESCOM 04 Series
- Ideal for space saving installations

## WEGA Mini Regulator Drawing



- 1 Basic regulator with integrated relief valve and hand wheel
- 2 Inlet gauge
- 3 Outlet gauge
- 4 Compression fitting 6 mm with hose connector 6 mm
- 5 Cylinder connector

All dimensions are reference & nominal  
Metric [millimeter] equivalents are in brackets

## WEGA Mini Regulator Part Number Selector

**Repair Kits, Accessories & Modifications may be available for this product. Please contact TESCOM for more information.**

Example for selecting a part number:

| D45390   | - | 06  | - | 05  | - | 2  |
|--|---|---|---|---|---|--|
| BASIC SERIES   |   | INLET CONNECTION*   |   | OUTLET CONNECTION   |   | OUTLET PRESSURE                                  |
| D45390 – Nickel-plated Brass<br>D45394 – Stainless Steel |   | 01 - Flammable Gases<br>06 - Inert Gas, CO <sub>2</sub> , SF <sub>6</sub> , CF <sub>4</sub><br>10 - Nitrogen<br>11 - Nitrous Oxide<br>13 - Compressed Air<br>14 - Calibration Gas |   | 00 - 1/4" NPTF internal<br>05 - 6 mm fitting with 6 mm hose connector |   | 2 - 60 psig / 4.1 bar<br>3 - 145 psig / 10.0 bar |

\* Please ask for national standards other than DIN 477-1

**WARNING!** Do not attempt to select, install, use or maintain this product until you have read and fully understood the **TESCOM Safety, Installation and Operation Precautions.**

DCATLAB012109XEN2 © 2012 Emerson Process Management Regulator Technologies, Inc. All rights reserved. 05/2012.  
Tescom, Emerson Process Management, and the Emerson Process Management design are marks of one of the Emerson Process Management group of companies. All other marks are the property of their respective owners.