

# WEGA Corrosive Gases and Purging Regulators - Pressure Reducing

DCATLAB012104XEN2

## Specifications

For other materials or modifications, please consult TESCOM.

### FLUID MEDIA

For corrosive gases and gas mixtures.  
For calibration gases with corrosive content.

### OPERATING PARAMETERS

**Maximum Inlet Pressure**

2900 psig / 200 bar

**Outlet Pressure Range**

7.3-22, 7.3-58, 14.5-102, 14.5-145 psig  
0.50-1.5, 0.50-4.0, 1.00-7.0, 1.00-10.0 bar

**Leakage Rate Against Atmosphere**

$10^{-8}$  mbar l/s He (for each connection)

**Nominal Flow**

10 m<sup>3</sup>/h (acc. to pressure and used gas)

**44-2200 Series Regulator:**  $C_v = 0.06$

**44-2800 Series Regulator:**  $C_v = 0.16$

**44-3400 Series Regulator:**  $C_v = 0.05$

**Options**

Shut-off valve at outlet dual stage

Also available as absolute pressure 44-46 Series

### MEDIA CONTACT MATERIALS

**Body**

316L Stainless Steel

**Diaphragm**

316L Stainless Steel and Hastelloy®

### OTHERS

**Inlet Port**

According to National Standard

**Outlet Port**

**Regulator:** 1/4" NPTF Female

**Valve:** G 1/8" Female

**Connections**

6 mm compression fitting

*Hastelloy® is a registered trademark of Haynes International, Inc.*



TESCOM WEGA Corrosive Gases and Purging cylinder pressure regulators are designed with a captured bonnet for use with corrosive gases and gas mixtures (based on the highly reliable 44-2200 and 44-2800 Series regulator technology). Dual-stage version is available.

## Applications

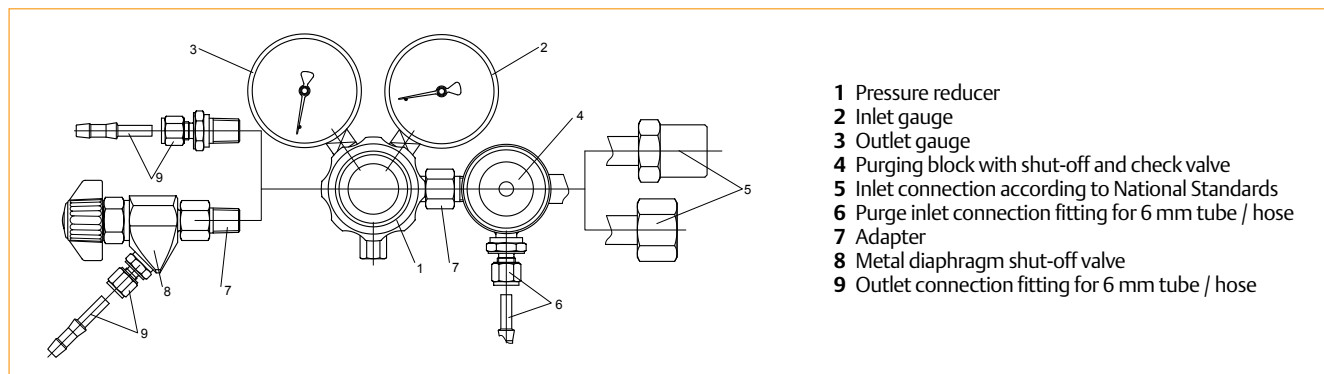
- Reduction of high pressure gases in storage cylinders to a low operating pressure
- Suitable for inert gas purging

## Features and Benefits

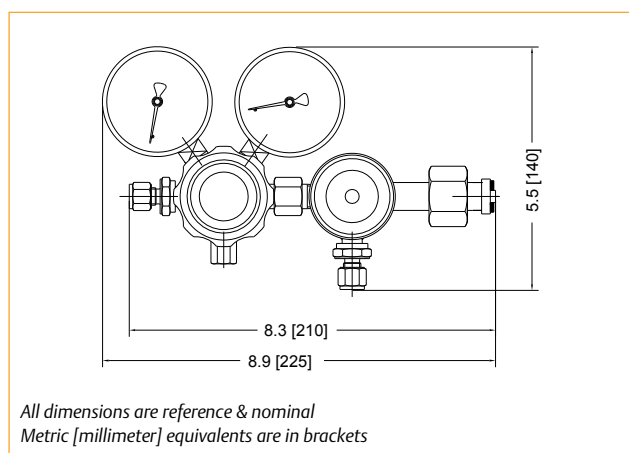
- Captured bonnet for the use of corrosive gases, leak-tight construction, safe and reliable
- Effective purging due to integrated shut-off valve and check valve, low purge gas consumption, minimized risk of corrosion
- Based on 44-2200 and 44-2800 Series regulators
- Dual-stage version available as an option (44-3400 Series)
- Multiple outlet connections are available

## WEGA Corrosive Gases and Purging Regulator Drawing

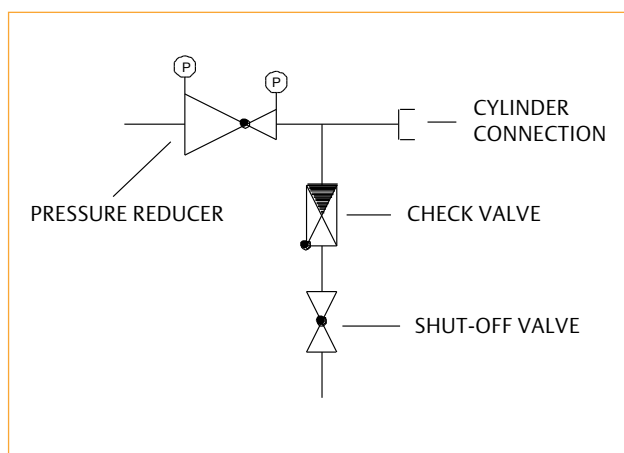
### Assembly Drawing



### Dimensional Drawing



### Functional Drawing



## WEGA Corrosive Gases and Purging Regulator Part Number Selector

Repair Kits, Accessories & Modifications may be available for this product. Please contact TESCOM for more information.

Example for selecting a part number:

BASIC SERIES	INLET CONNECTION DEPENDS ON NATIONAL STANDARDS	OUTLET PRESSURE PORT	REGULATOR	OUTLET PRESSURE RANGE	INLET PRESSURE PORT
D43276	Available inlet connectors / Cylinder valve standards:  DIN 477-1 - 2900 psig / 200 bar Germany DIN 477-5 - 4351 psig / 300 bar Germany NEN 3268 Netherlands BS 341 U.K. AFNOR / NF E 29-650 France CGA-V1 U.S.A. UNI 11144 Italy	00 - 1/4" NPTF Female 05 - 6 mm fitting with 6 mm hose connector 62 - Diaphragm shut-off valve with 6 mm fitting and 6 mm hose connector	A - 44-22 for NH <sub>3</sub> , SO <sub>2</sub> , NO and calibration gas C - 44-28 for CL <sub>2</sub> , HCL, H <sub>2</sub> S	1 - 7.3-22 psig 0.50-1.5 bar 2 - 7.3-58 psig 0.50-4.0 bar 3 - 14.5-102 psig 1.00-7.0 bar 4 - 14.5-145 psig 1.00-10.0 bar	<b>Without</b> - Hand tightening nut with O-Ring seal <b>K</b> - Hexagon coupling nut, Stainless Steel, with flat gasket CL <sub>2</sub> , HCL, NO, H <sub>2</sub> S and calibration gas <b>M</b> - Monel Hexagon coupling nut, (available only for DIN connections number 6 and 7)
<i>Note: For other standards, please consult TESCOM.</i>					

- Please specify gas to identify inlet connector according to national standards.
- For gas mixtures, please consult your gas supplier for the connection number or cylinder valve thread.
- Please reference "Cylinder Valve Connections" in the TESCOM catalog for additional information.



**WARNING!** Do not attempt to select, install, use or maintain this product until you have read and fully understood the TESCOM Safety, Installation and Operation Precautions.