

VN Series

On/Off and Shut-off Valves

DVNXX2052X012

Specifications

For other materials or modifications, please consult TESCOM.

OPERATING PARAMETERS

Pressure rating per criteria of ANSI/ASME B31.3

Maximum Inlet Pressure

10,000 psig / 689 bar

Design Proof Pressure

150% of rated pressure

Leakage

Bubble-tight

Operating Temperature

-20°F to 165°F / -29°C to 74°C

Flow Capacity

$C_v = 20$

Maximum Operating Torque

35 in-lbs / 4.0 N•m



MEDIA CONTACT MATERIALS

Body

316 Stainless Steel

Seat

VespeI® SP1

O-Ring

Buna-N, Viton®, E.P.

Back-Up Ring

Teflon®

Wear Ring

PEEK

Grayloc Hubs

Nitronic 60

Remaining Parts

316 Stainless Steel, 17-4 Stainless Steel

OTHER

Cleaning

CGA 4.1 AND ASTM G93

Weight

35 lbs / 15.9 kg

Teflon®, VespeI® and Viton® are registered trademarks of E.I. du Pont de Nemours and Company.

TESCOM VN Series high flow, bidirectional valve.

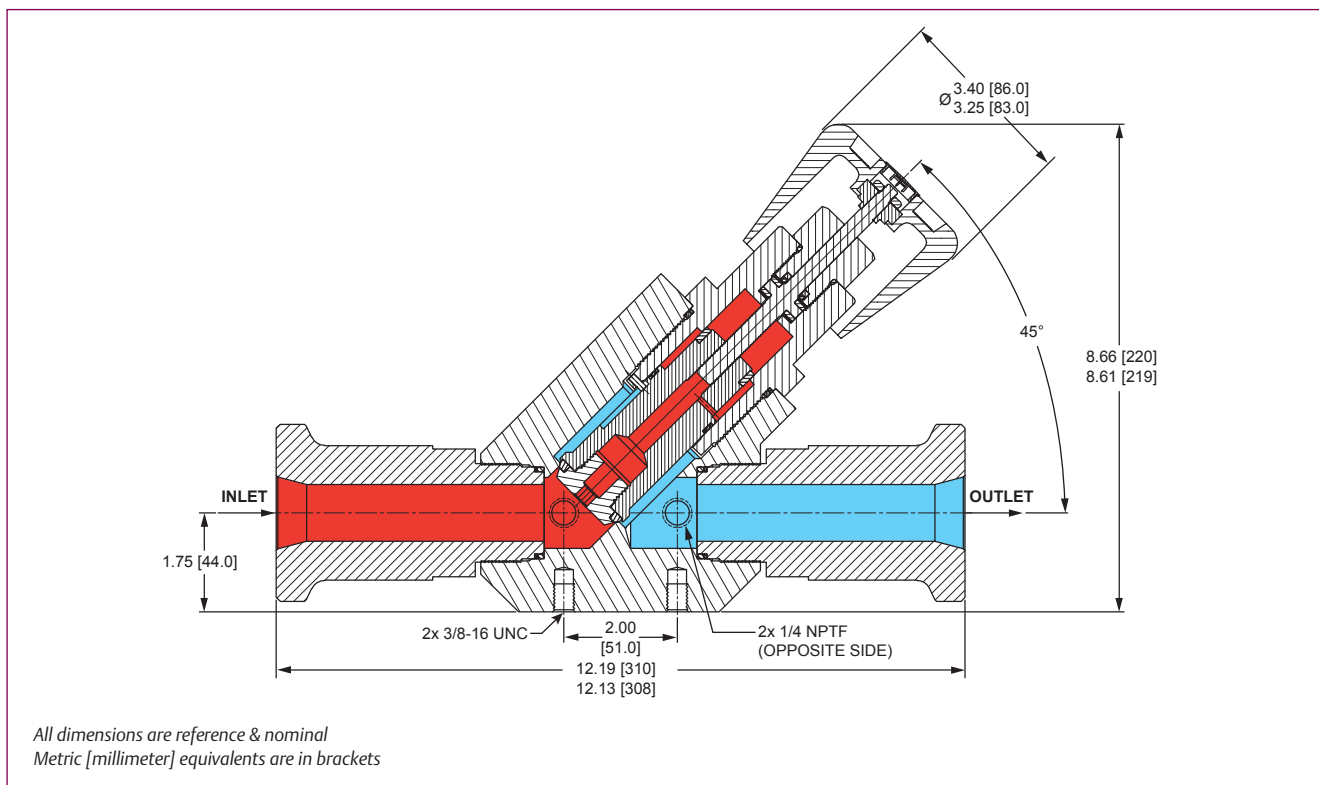
Application

- High pressure / high flow supply lines

Features and Benefits

- Y-Pattern flow path
- Low torque handknob
- Replaceable soft seats
- Grayloc hub connections are available

VN Series Valve Drawing



VN Series Valve Part Number Selector

Repair Kits, Accessories & Modifications may be available for this product. Please contact TESCOM for more information.

Example for selecting a part number:

VN 6 V B 12 9 12 9 2 - 01

BASIC SERIES	BODY MATERIAL	SEAT MATERIAL	O-RING MATERIAL	INLET PORT SIZE	INLET PORT TYPE	OUTLET PORT SIZE	OUTLET PORT TYPE	GAUGE PORTS	MODIFICATION NUMBER
VN	6 – 316 Stainless Steel	V – Vespel® SP1	B – Buna-N E – E.P. V – Viton®	12 – 1-1/2"	9 – Threaded Grayloc Hub	12 – 1-1/2"	9 – Threaded Grayloc Hub	2 – 1/4" NPTF	01 – 1-1/2" Grayloc Hubs
Pressure at which valve is used must be compatible with the pressure rating of the valve and port size/type provided.									



WARNING! Do not attempt to select, install, use or maintain this product until you have read and fully understood the TESCOM Safety, Installation and Operation Precautions.

DVNXX2052X012 © 2012 Emerson Process Management Regulator Technologies, Inc. All rights reserved. 05/2012.
Tescom, Emerson Process Management, and the Emerson Process Management design are marks of one of the Emerson Process Management group of companies. All other marks are the property of their respective owners.