

VJ Series

On/Off and Shut-off Valve

DVJXX1916X012

Specifications

For other materials or modifications, please consult TESCOM.

OPERATING PARAMETERS

Pressure rating per criteria of ANSI/ASME B31.3

Maximum Operating Pressure

316 Stainless Steel Body: 10,000 psig / 690 bar

Brass Body: 6000 psig / 414 bar

Design Proof Pressure

150% of rated pressure

Leakage

Bubble-tight

Operating Temperature

See table

Flow Capacity

$C_v = 0.49$ Angle

$C_v = 0.28$ Globe

Maximum Operating Torque

15 in-lbs / 1.7 N•m

MEDIA CONTACT MATERIALS

Body

316 Stainless Steel or Brass

Seat

CTFE, Nylatron, PEEK, Teflon®, or Vespel®

Back-up Ring

Teflon®

O-Ring

Buna-N, Ethylene Propylene, Kalrez®, or Viton®

Remaining Parts

Monel® and Brass or Stainless Steel

OTHER

Cleaning

CGA 4.1 and ASTM G93

Weight

1.5 lbs / 0.7 kg

Teflon®, Viton-A®, Kalrez®, and Vespel® are registered trademarks of E.I. du Pont de Nemours and Company.

Monel® is a mark owned by Special Metals Corporation.



TESCOM VJ Series hand valves offer control pressure of 6000 and 10,000 psig / 414 and 690 bar. Available in angle and globe patterns.

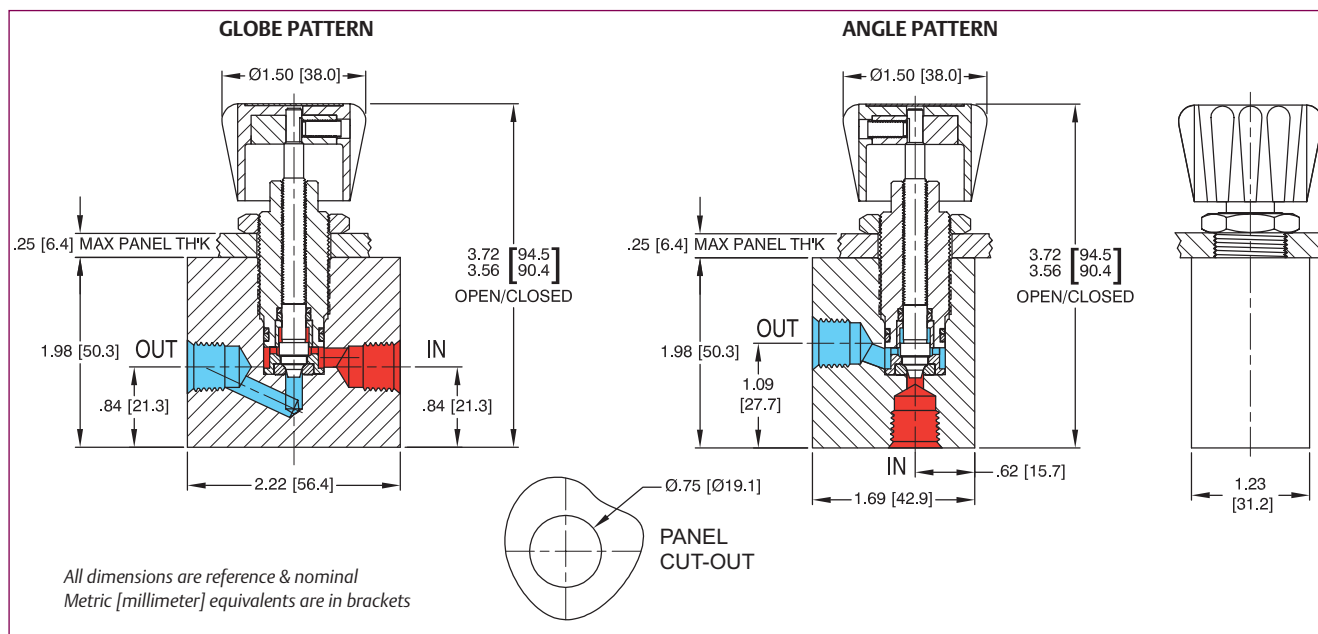
Applications

- Pressure control panels
- Ground Support Equipment (GSE)

Features and Benefits

- Versatile bi-directional flow
- Built-in metallic stop prevents overtightening of the valve
- Angle or globe pattern options are available, easy adaptation
- Designed to be O₂ compatible with correct materials of construction

VJ Series Valve Drawing, Part Number Selector, and Operating Temperature



Repair Kits, Accessories & Modifications may be available for this product. Please contact TESCOM for more information.

Example for selecting a part number:

| VJ | 1 | 0 | 3 | 04 | V | K |
|--------------|--------------------------------------|------------------------|--|--|--|---|
| BASIC SERIES | BODY MATERIAL | PATTERN TYPE | INLET AND OUTLET PORT TYPE | INLET AND OUTLET PORT SIZE | SEAT MATERIAL | O-RING MATERIAL |
| VJ | 1 – Brass 6 – 316 Stainless Steel | 0 – Angle 1 – Globe | 0 – BSPP 1 – SAE 2 – NPTF 3 – MS33649 | 04 – 1/4" 06 – 3/8" (available in globe pattern only) | K – CTFE P – PEEK T – Teflon® V – Vespel® | D – Buna-N E – Ethylene Propylene K – Kalrez® V – Viton® |

Operating Temperature

| SEAT MATERIAL | O-RING | MAXIMUM OPERATING PRESSURE | OPERATING TEMPERATURE |
|--|---|--|---|
| Teflon® Teflon® Teflon® Teflon® | Buna-N Kalrez® Viton® Ethylene Propylene | Brass: 3500 psig / 241 bar Stainless Steel: 3500 psig / 241 bar | -40°F to 165°F / -40°C to 74°C 20°F to 250°F / -7°C to 121°C -15°F to 250°F / -26°C to 121°C -40°F to 250°F / -40°C to 121°C |
| PEEK PEEK PEEK PEEK | Buna-N Kalrez® Viton® Ethylene Propylene | Brass: 6000 psig / 414 bar Stainless Steel: 10,000 psig / 690 bar | -40°F to 165°F / -40°C to 74°C 20°F to 250°F / -7°C to 121°C -15°F to 250°F / -26°C to 121°C -15°F to 250°F / -26°C to 121°C |
| CTFE CTFE CTFE CTFE | Buna-N Kalrez® Viton® Ethylene Propylene | Brass: 6000 psig / 414 bar Stainless Steel: 6000 psig / 414 bar | -40°F to 165°F / -40°C to 74°C 20°F to 250°F / -7°C to 121°C -15°F to 250°F / -26°C to 121°C -40°F to 250°F / -40°C to 121°C |
| Vespel® Vespel® Vespel® Vespel® | Buna-N Kalrez® Viton® Ethylene Propylene | Brass: 6000 psig / 414 bar Stainless Steel: 10,000 psig / 690 bar | -40°F to 165°F / -40°C to 74°C 20°F to 250°F / -7°C to 121°C -15°F to 250°F / -26°C to 121°C -40°F to 250°F / -40°C to 121°C |



WARNING! Do not attempt to select, install, use or maintain this product until you have read and fully understood the TESCOM Safety, Installation and Operation Precautions.

DVJXX1916X012 © 2012 Emerson Process Management Regulator Technologies, Inc. All rights reserved. 05/2012.
Tescom, Emerson Process Management, and the Emerson Process Management design are marks of one of the Emerson Process Management group of companies. All other marks are the property of their respective owners.