

Ultra High Purity MiniLabo 2

Regulators - Pressure Reducing

DCATLABO12133XEN2

Specifications

For other materials or modifications, please consult TESCOM.

FLUID MEDIA

For corrosive and non-corrosive gases and mixtures

OPERATING PARAMETERS

Pressure rating per criteria of ANSI/ASME B31.3

Maximum Inlet Pressure

580 psig / 40.0 bar

Maximum Outlet Pressure

22, 58, 145 psig / 1.5, 4.0, 10.0 bar

Leakage Rate Against Atmosphere

10⁻⁸ mbar l/sec He each connection

Nominal Flow Rate

1-200 LPM based on Nitrogen

Operating Temperature

-4°F to 158°F / -20°C to 70°C

MEDIA CONTACT MATERIALS

Material

Body: 316L Stainless Steel

Diaphragm: Elgiloy® / Hastelloy®

Seat

Valve: PCTFE

Pressure Reducer: PTFE

OTHER

Cleaning

Cleaned for Oxygen Service

Connections

Inlet and Outlet: 1/4" HPIC

High Purity Internal Connection (HPIC) designed for use with 1/4" swivel VCR® (or compatible fittings)

Gauge: 1/4" Internal VCR®

Weight (approximate)

2.7 lbs / 1.2 kg

Elgiloy® is a registered trademark of Elgiloy Corp.

Hastelloy® is a registered trademark of Haynes International, Inc.

VCR® is a registered trademark of Swagelok.



TESCOM Ultra High Purity MiniLabo 2 is a point-of-use regulator for high purity applications with a compact, modular ergonomic design. All connections are 1/4" Internal VCR® for reduced leak rates.

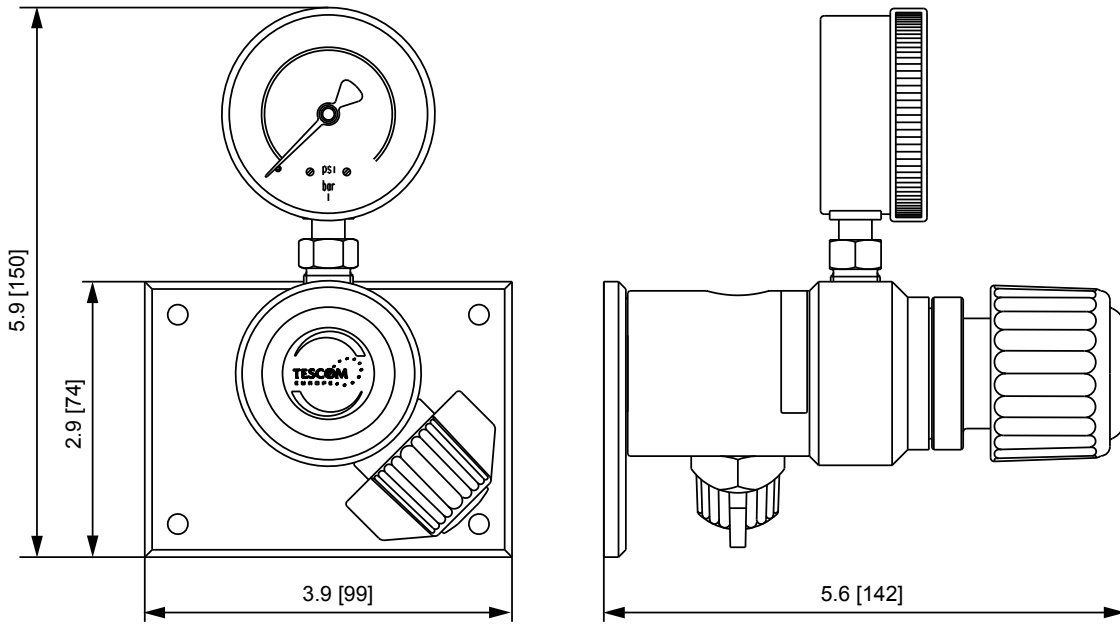
Applications

- High purity applications
- Reduces line pressure to working pressure
- Laboratory, research & development and analyzer applications

Features and Benefits

- Minimized internal volume
- All connections are 1/4" Internal VCR® for reduced leak rates
- Compact and economical design
- Ease of use by ergonomic handwheels
- Pressure regulator and 1/4 turn shut-off valve integrated in one body
- Includes low pressure gauge and a wall mounting plate
- Suitable for gases up to purity 6.0

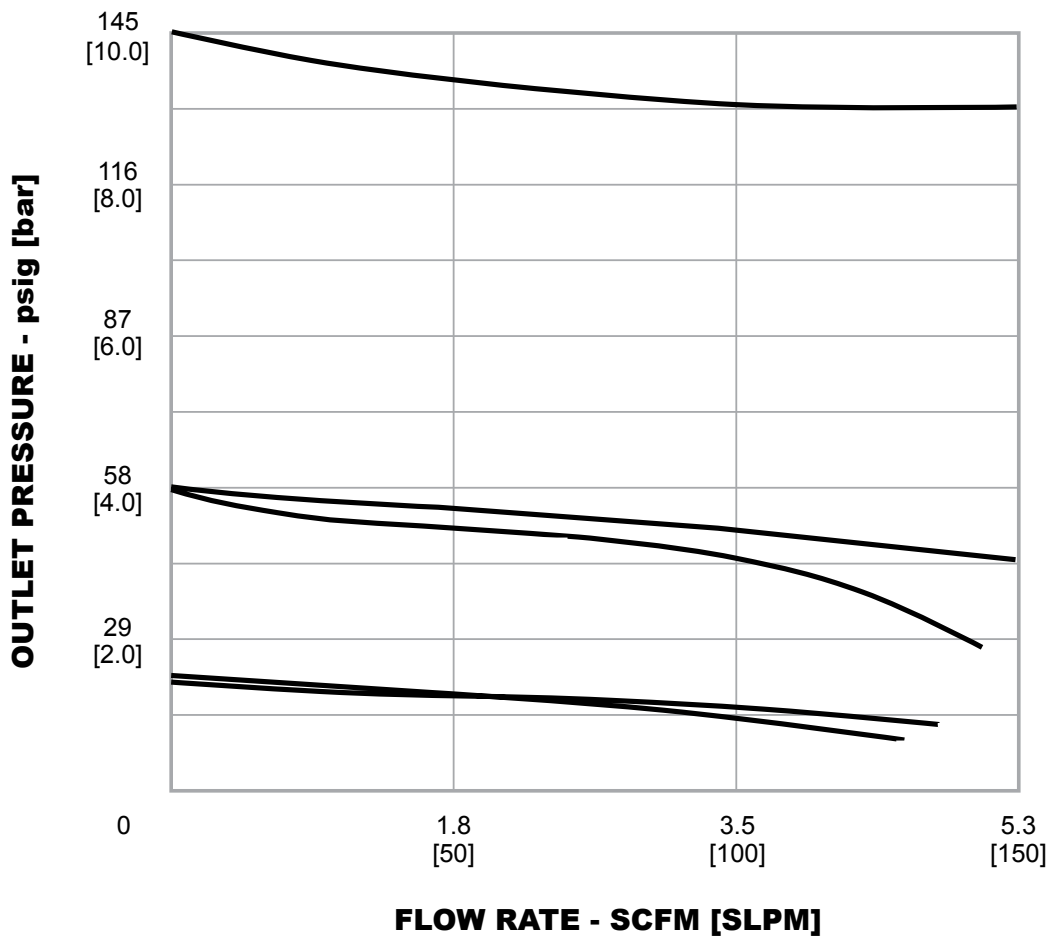
Ultra High Purity MiniLabo 2 Regulator Drawing



All dimensions are reference & nominal
Metric [millimeter] equivalents are in brackets

Ultra High Purity MiniLabo 2 Regulator Flow Chart

For more information on how to read flow curves, please refer to the Flow Curves and Calculations document (debul2007x012) in the TESCOM catalog or on www.tescom.com.



Ultra High Purity MiniLabo 2 Regulator Part Number Selector

Repair Kits, Accessories & Modifications may be available for this product. Please contact TESCOM for more information.

Example for selecting a part number:

D45372	-	2
BASIC SERIES		PRESSURE RANGE
D45372 MiniLabo 2 Ultra High Purity Point-of-use regulator with wall mounting plate and metal diaphragm		1 – 22 psig / 1.5 bar 2 – 58 psig / 4.0 bar 3 – 145 psig / 10.0 bar

Accessories for Wall Mounting

D43371	Kit countersunk screws + dowels for wall plate
--------	--



WARNING! Do not attempt to select, install, use or maintain this product until you have read and fully understood the *TESCOM Safety, Installation and Operation Precautions*.