

Metal Diaphragm Shut-off Valve

On/Off and Shut-off Valves

DCATLABO1283XEN2

Specifications

For other materials or modifications, please consult TESCOM.

FLUID MEDIA

For inert, reactive, corrosive (only Stainless Steel), flammable and oxidizing gases and gas mixtures

OPERATING PARAMETERS

Nominal Width DN

D43712 / D43715: DN 3

D44931 / D44932: DN 8

Nominal Pressure

580 psig / 40.0 bar

Leakage Rate Against Atmosphere

$< 10^{-8}$ mbar l/sec He

Operating Temperature

-4°F to 158°F / -20°C to 70°C

MEDIA CONTACT MATERIALS

Type of Construction

In-line

Body

D43712: Brass

D43715 / D44932: Stainless Steel

D44931: Chrome-plated Brass

Diaphragm

Stainless Steel

OTHERS

Inlet Connection

1/4" NPT Internal

Outlet Connection

1/4" NPT Internal

Weight

D43712 / D44931: 0.8 lbs / 0.35 kg

D43715 / D44932: 0.9 lbs / 0.40 kg



D43712 / D43715



D44931 / D44932

TESCOM Metal Diaphragm Shut-off Valve is designed for use with inert, reactive, corrosive (Stainless Steel body), flammable and oxidizing gases and gas mixtures.

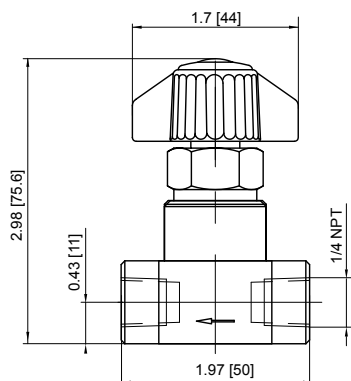
Applications

- Laboratories, R&D and analyzer applications
- Line shut-off components in central pure gas supply systems

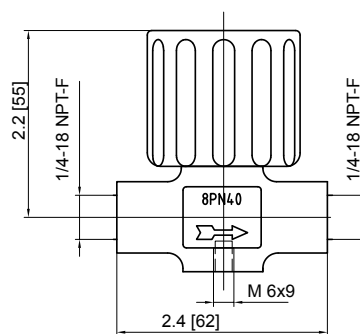
Features and Benefits

- Short and effective purging due to the metal diaphragm construction
- Clearly visible open or close position
- Leakage rate against atmosphere 10^{-8} mbar l/sec He
- Variability of nominal width and connections

Metal Diaphragm Shut-off Valve Drawing



D43712 / D43715



D44931 / D44932

Metal Diaphragm Shut-off Valve Accessories

Compression fittings for all valves with 1/4" NPT

METRIC PIPE	CONNECTION	PART NUMBER	
		BRASS	STAINLESS STEEL
For pipe 8 mm	1/4" NPT-8 mm	D44987-8-1-4-1	D44987-8-1-4-6
For pipe 10 mm	1/4" NPT-10 mm	D44987-10-1-4-1	D44987-10-1-4-6
For pipe 12 mm	1/4" NPT-12 mm	D44987-12-1-4-1	D44987-12-1-4-6

All dimensions are reference & nominal
Metric [millimeter] equivalents are in brackets

Metal Diaphragm Shut-off Valve Part Number Selector

Repair Kits, Accessories & Modifications may be available for this product. Please contact TESCOM for more information.

Example for selecting a part number:

D43712 - AO - 43

BASIC SERIES	GAS	CONNECTION
D43712 - Brass	AO - Oxygen AR - Other Gases 22 - Acetylene 23 - Carbon Monoxide	10 - Compression fitting Ø 8 mm / 1/4" NPT (not for gas 22 Acetylene) 43 - 1/4" NPT female
D43715 - Stainless Steel	AO - Oxygen AR - Other Gases AK - Corrosive Gases 20 - Ammonia 22 - Acetylene 23 - Carbon Monoxide	03 - Compression fitting Ø 6 mm / 1/4" NPT 43 - 1/4" NPT female

D44931

BASIC SERIES	GAS	CONNECTION
D44931 - Brass	Non-corrosive gases	1/4" NPT female
D44932 - Stainless Steel	Corrosive and non-corrosive gases	1/4" NPT female



WARNING! Do not attempt to select, install, use or maintain this product until you have read and fully understood the TESCOM Safety, Installation and Operation Precautions.