

30 Series

On/Off and Shut-off Valves

D30XX0555X012

Specifications

For other materials or modifications, please consult TESCOM.

OPERATING PARAMETERS

Pressure rating per criteria of ANSI/ASME B31.3

Maximum Inlet Pressure

6000, 10,000 psig
414, 690 bar

Design Proof Pressure

150% maximum rated

Leakage

Bubble-tight

Ambient Operating and Fluid Temperature

-40°F to 165°F / -40°C to 74°C

Flow Capacity

See table on back page

Maximum Operating Torque

See table on back page

MEDIA CONTACT MATERIALS

Body

316 Stainless Steel

Seat

30-1100 and 30-1300: Nylatron

30-1200 and 30-1400: CTFE

O-Ring

Buna-N

Back-up Ring

30-1100: CTFE

30-1200: 15% graphite filled Teflon®

30-1300 and 30-1400: Teflon®

Remaining Parts

316 Stainless Steel, 17-4 Stainless Steel

OTHER

Cleaning

CGA 4.1 and ASTM G93

Weight

See table on back page

Teflon® is a registered trademark of E.I. du Pont de Nemours and Company.



30-1100



30-1300



30-1200



30-1400

TESCOM 30 Series shut-off valves are high pressure, high flow applications up to 10,000 psig / 690 bar and offer $C_v = 0.28-20.0$. The 30 Series offer globe and angle pattern bidirectional flow, soft seat and built-in metallic stop.

Applications

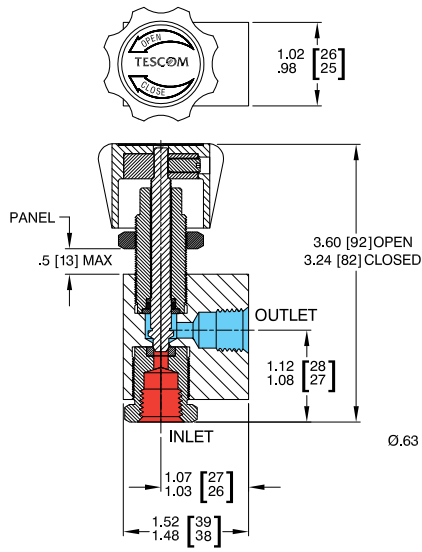
- GSE support pressure panels
- Instrumentation pressure panels and manifolds
- Research and Development labs
- Gas analysis sampling systems

Features and Benefits

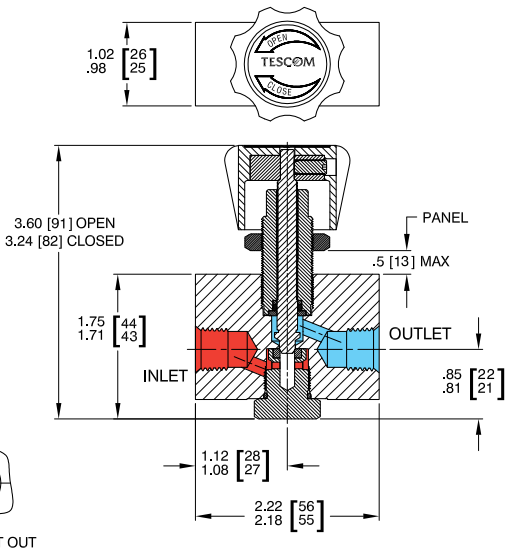
- 6000 and 10,000 psig / 414 and 690 bar capability
- $C_v = 0.28$ through 20.00
- Globe or angle configuration
- Port sizes available from 1/4" to 1-1/2"
- Low operating and shut-off torque at high pressures
- Bidirectional liquid or gas service
- Soft seat insures bubble-tight shutoff

30 Series Valves Drawing

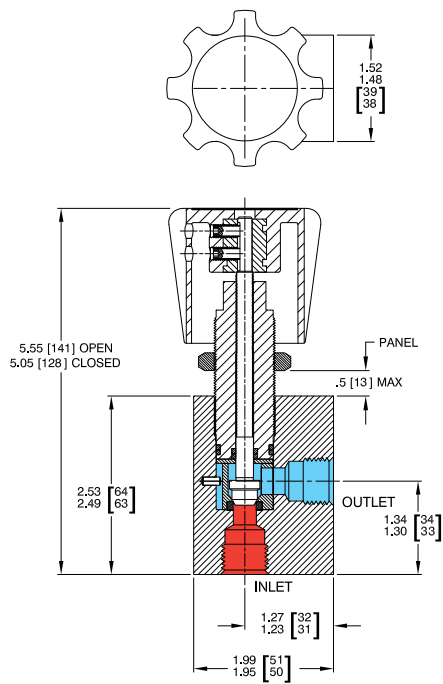
30-1100 ANGLE PATTERN



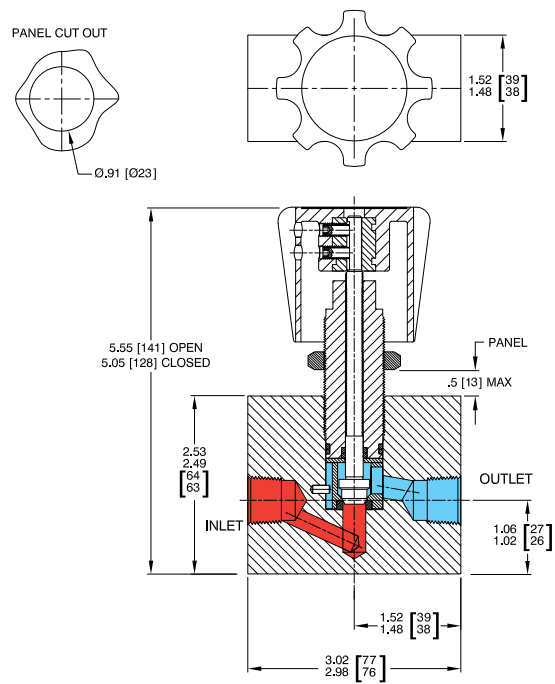
30-1101 GLOBE PATTERN



30-1300 ANGLE PATTERN



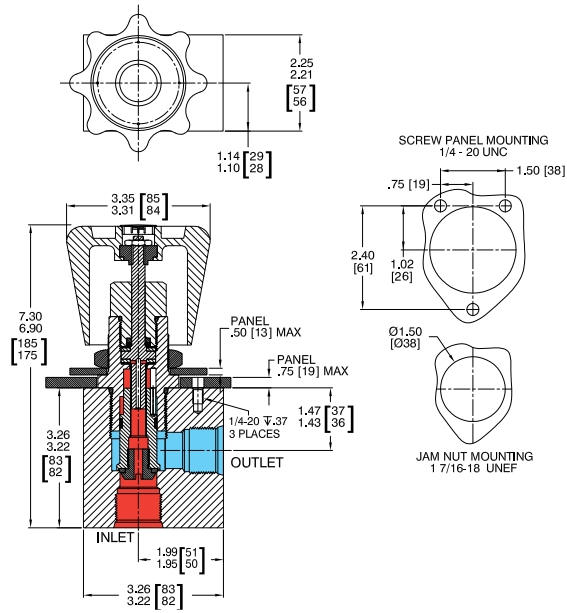
30-1301 GLOBE PATTERN



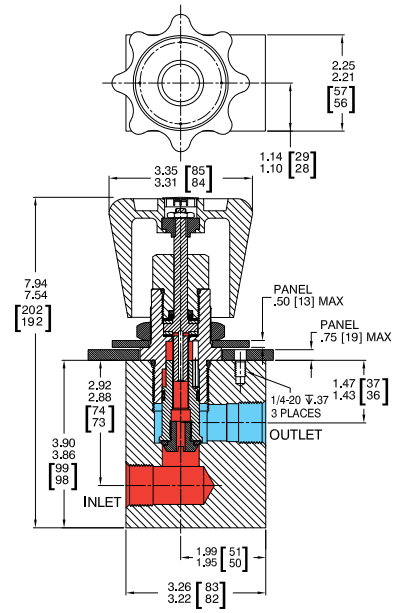
All dimensions are reference & nominal
Metric [millimeter] equivalents are in brackets

30 Series Valves Drawing

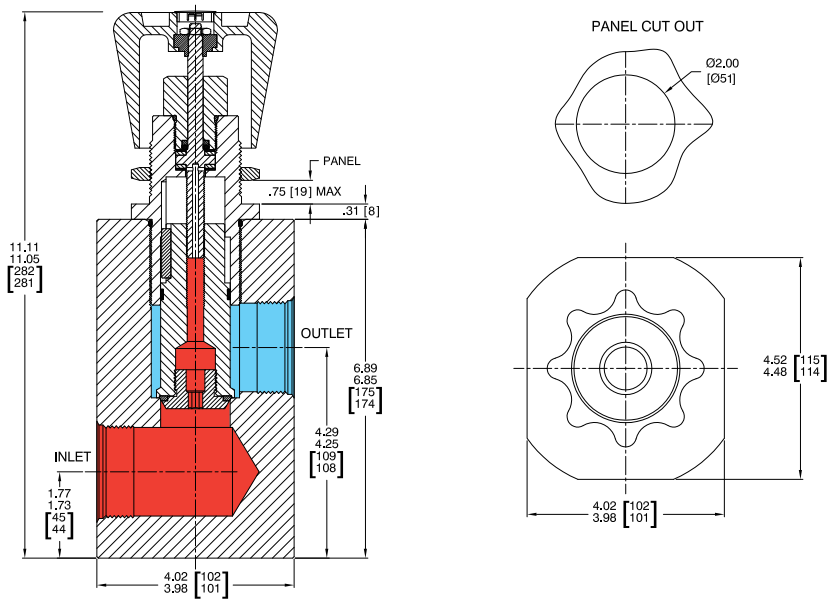
30-1200 ANGLE PATTERN



30-1201 GLOBE PATTERN



30-1400 GLOBE PATTERN



All dimensions are reference & nominal
Metric [millimeter] equivalents are in brackets

30 Series Valves Part Number Selector

Repair Kits, Accessories & Modifications may be available for this product. Please contact TESCOM for more information.

Example for selecting a part number:

30-11	0	1	-	2	04
BASIC SERIES	VALVE STEM TYPE	PATTERN TYPE		INLET AND OUTLET PORT TYPE	INLET AND OUTLET PORT SIZE
30-11 – 30-1100 10,000 psig 690 bar 30-12 – 30-1200 6000 psig 414 bar 30-13 – 30-1300 10,000 psig 690 bar 30-14 – 30-1400 6000 psig 414 bar	0 – Shut-off (Standard) 1 – Metering (optional on 30-1100 only)	0 – Angle ² 1 – Globe		0 – BSP ¹ 1 – SAE ² 2 – NPTF ² 3 – MS33649 6 – Medium Pressure ¹	04 – 1/4" (30-1100) 06 – 3/8" (30-1100 ³ , 30-1300) 08 – 1/2" (30-1300) 12 – 3/4" (30-1200) 16 – 1" (30-1200) 24 – 1-1/2" (30-1400)
		1. Available on 30-1100 only 2. Not available on 30-1400 3. Available in Globe Pattern only			

SERIES	PATTERN	C _v	WEIGHT	CONTROL TORQUE
30-11X1-XXX 30-11X0-XXX	Globe Angle	0.28 0.49	1 lb / 0.5 kg 3/4 lbs / 0.3 kg	15 in-lbs / 1.7 N•m 15 in-lbs / 1.7 N•m
30-1301-XXX 30-1300-XXX	Globe Angle	1.57 2.30	3-1/4 lbs / 2 kg 2-1/4 lbs / 1 kg	25 in-lbs / 2.8 N•m 25 in-lbs / 2.8 N•m
30-1201-XXX 30-1200-XXX	Globe Angle	8.00 10.00	8 lbs / 4 kg 7-1/4 lbs / 3 kg	35 in-lbs / 4.0 N•m 35 in-lbs / 4.0 N•m
30-1400-XXX	Globe	20.00	30 lbs / 14 kg	35 in-lbs / 4.0 N•m



WARNING! Do not attempt to select, install, use or maintain this product until you have read and fully understood the *TESCOM Safety, Installation and Operation Precautions*.

D30XX0555X012 © 2012 Emerson Process Management Regulator Technologies, Inc. All rights reserved. 05/2012.
 Tescom, Emerson Process Management, and the Emerson Process Management design are marks of one of the Emerson Process Management group of companies. All other marks are the property of their respective owners.